



# Model FL14

## Front Load Pan Washer

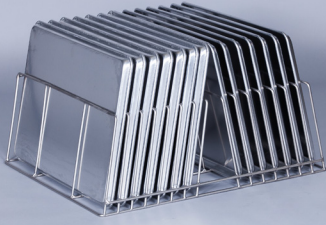


The LVO FL14 front load pan washer is our most popular model, the LVO FL14 cleans your pots, pans, bowls, or utensils with a powerful, high pressure wash. With a 10 Horsepower pump and brass wash hubs, the two rotating stainless steel spray arms blast away soil for greater cleanliness, while a hot water rinse ensures proper sanitizing temperature. Capable of washing up to 140 pans per hour, the FL14 is fully automatic and simple to operate. The front load design allows for easy access to the wash chamber, while at the same time minimizing the amount of floor space required.



## Standard Available Racks:

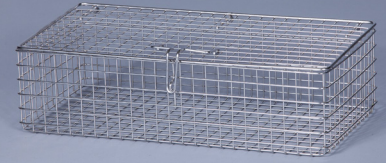
Sheet Pan Rack



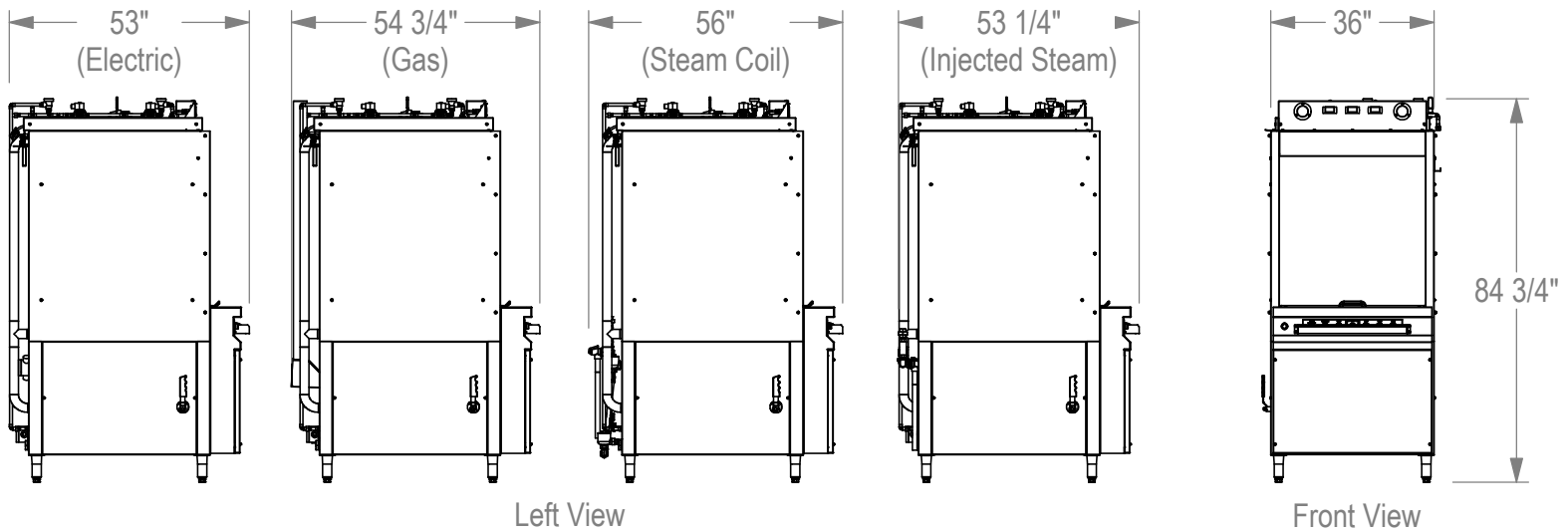
Cake Pan Rack



Utensil Basket



## FL14 Specs:



**Wash Capacity:** 14 Sheet Pans

**Standard Voltages:** 208, 230, or 460 Volt, 3 Phase, 60 Hertz

**Wash Tank:** Electric, Gas, Steam Coil, or Injected Steam Heat

**Wash Chamber Dimensions:** 32"W x 30"H x 36 1/2"L

**Height with Door Open:** 106"

**Agency Listings (US & Canada):** ETL (Electrical) and NSF (Sanitation)

Because of continuous improvements, specifications may change without notice. Contact manufacturer for current information.



**LVO Manufacturing, Inc.**

PO Box 188 • 808 North 2nd Avenue East • Rock Rapids, Iowa 51246

(800) 346-5749 • [www.lvomfg.com](http://www.lvomfg.com)

Feb '16